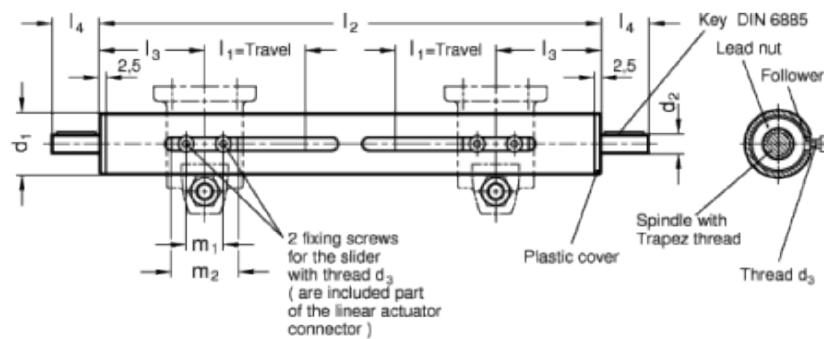


# GN 293

Linear actuators



## technical informations

### Guide tube

Precision steel tube, chrome-plated SCR, DIN 2391.

### Trapezoidal thread on shaft

Steel thrust ball bearings.

### Follower nut

Gun metal.

### End caps

Plastic.

## Types

- Type RL2: one shaft right hand thread and one shaft left hand thread.
- Type RR2: both shafts right hand thread.
- Type LL2: both shafts left hand thread.

## Material

Guide tube, precision steel tube, chrome-plated SCR, DIN 2391.

## Assembly

Sliders, connector clamps and accessoires have to be ordered separately.

## Features and applications

In addition to the standard travel lengths specified in the above table for linear actuator GN 293 any length inside the maximum length is available.

Besides the extensive range of tube clamp connectors there are a number of additional components for mounting on the linear actuator to build slider units.

In order to measure the movement and positioning of the sliders, digital as well as analogue position indicators can be added and furthermore the guide tube can be provided with a longitudinal scale along the slot.

## Accessories

- Installation kits for linear actuators GN 295.
- Longitudinal scales GN 299.

## Special executions on request (For sufficient quantities)

Guide tube, precision AISI 303 stainless NI, DIN 2462 (all types).

Standard Elements	Main dimensions											Shaft key spring
Description	d <sub>1</sub>	l <sub>1</sub> Travel (standard lengths)	max. travel for every	Shaft thread	d <sub>2</sub> f7	d <sub>3</sub>	l <sub>2</sub> Total length	l <sub>3</sub>	l <sub>4</sub>	m <sub>1</sub>	m <sub>2</sub>	DIN 6885
GN 293-30-100-RL2-SCR*	30	100	601	TR14x4	8	M 4	2xl <sub>1+253</sub>	102.5	16	23	38	A2x2x12
GN 293-40-170-RL2-SCR*	40	170	753	TR20x4	12	M 5	2xl <sub>1+299</sub>	117.5	17	42	54	A4x4x12
GN 293-50-200-RL2-SCR*	50	200	748	TR20x4	12	M 6	2xl <sub>1+309</sub>	120	18	42	54	A4x4x12
GN 293-60-250-RL2-SCR*	60	250	715	TR24x5	14	M 8	2xl <sub>1+375</sub>	142.5	19	58	70	A5x5x16
GN 293-30-100-RR2-SCR*	30	100	601	TR14x4	8	M 4	2xl <sub>1+253</sub>	102.5	16	23	38	A2x2x12
GN 293-40-170-RR2-SCR*	40	170	753	TR20x4	12	M 5	2xl <sub>1+299</sub>	117.5	17	42	54	A4x4x12
GN 293-50-200-RR2-SCR*	50	200	748	TR20x4	12	M 6	2xl <sub>1+309</sub>	120	18	42	54	A4x4x12
GN 293-60-250-RR2-SCR*	60	250	715	TR24x5	14	M 8	2xl <sub>1+375</sub>	142.5	19	58	70	A5x5x16
GN 293-30-100-LL2-SCR*	30	100	601	TR14x4	8	M 4	2xl <sub>1+253</sub>	102.5	16	23	38	A2x2x12
GN 293-40-170-LL2-SCR*	40	170	753	TR20x4	12	M 5	2xl <sub>1+299</sub>	117.5	17	42	54	A4x4x12
GN 293-50-200-LL2-SCR*	50	200	748	TR20x4	12	M 6	2xl <sub>1+309</sub>	120	18	42	54	A4x4x12
GN 293-60-250-LL2-SCR*	60	250	715	TR24x5	14	M 8	2xl <sub>1+375</sub>	142.5	19	58	70	A5x5x16

\* This sizes are usually not on stock.

